



# NESTABLE BOX

Made from grey polypropylene, the Nestable Box series stacking containers have a truncated cone shape: when fully loaded they can be stacked firmly and safely, when they are empty they can be stacked one inside the other with a reduction of 70% of their volume. For this reason they are used to exploit warehouse space and for transport, especially as regards transport with empty return journeys and wherever packing must occupy as small a space as possible.

# HAND GRIP

The flush handles offer a safe and easy grip even for gloved hands.



stacking with closed cover

nesting with open cover



stacking support with open cover

nesting with the support

front view



# SUPPORTS

The support (pic. 1) is pushed to its stop (pic. 2) and is blocked by pressing downwards (pic. 3).



support block

# RAW MATERIAL

# CODING NESTABLE BOX

PP

51 01

grey  
polypropylene

PP

51 XB

turquoise  
polypropylene



59 00

white  
PP - food compliant

walls and bottoms configuration		material	colour			
FAX	NB	6422	A	0	51	01
		height	depth	width		
		series container				

# NESTABLE BOX

# 600x400 mm



ART.		Container dim. mm		min. purchase order	units per pallet	pallet dim. mm	availability
	<b>51 01</b>			pallet			<b>on stock</b>
<b>FAX NB 6422 A 0</b>	<b>51 XB</b>	600 x 400 x 225 h	38	pallet	136	1200 x 800 x 2100 h	<b>on stock</b>
	<b>59 00</b>			200 units			on request
<b>FAX NB 6422 C 0</b>	<b>51 01</b>			pallet			<b>on stock</b>
	<b>51 XB</b>	600 x 400 x 240 h	38	pallet	104	1200 x 800 x 2050 h	<b>on stock</b>
	<b>59 00</b>			200 units			on request
<b>FAX NB 6422 B 0</b>	<b>51 01</b>			pallet			<b>on stock</b>
	<b>51 XB</b>	600 x 400 x 230 h	38	pallet	136	1200 x 800 x 2100 h	<b>on stock</b>
	<b>59 00</b>			200 units			on request
<b>FAX NB 6432 A 0</b>	<b>51 01</b>			pallet			<b>on stock</b>
	<b>51 XB</b>	600 x 400 x 325 h	58	pallet	80	1200 x 800 x 2000 h	<b>on stock</b>
	<b>59 00</b>			200 units			on request
<b>FAX NB 6432 C 0</b>	<b>51 01</b>			pallet			<b>on stock</b>
	<b>51 XB</b>	600 x 400 x 340 h	58	pallet	76	1200 x 800 x 2200 h	<b>on stock</b>
	<b>59 00</b>			200 units			on request
<b>FAX NB 6432 B 0</b>	<b>51 01</b>			pallet			<b>on stock</b>
	<b>51 XB</b>	600 x 400 x 330 h	58	pallet	80	1200 x 800 x 2000 h	<b>on stock</b>
	<b>59 00</b>			200 units			on request
<b>FAX NB 6442 A 0</b>	<b>51 01</b>			pallet			<b>on stock</b>
	<b>51 XB</b>	600 x 400 x 425 h	74	pallet	64	1200 x 800 x 2120 h	<b>on stock</b>
	<b>59 00</b>			200 units			on request
<b>FAX NB 6442 C 0</b>	<b>51 01</b>			pallet			<b>on stock</b>
	<b>51 XB</b>	600 x 400 x 440 h	74	pallet	56	1200 x 800 x 2100 h	<b>on stock</b>
	<b>59 00</b>			200 units			on request
<b>FAX NB 6442 B 0</b>	<b>51 01</b>			pallet			<b>on stock</b>
	<b>51 XB</b>	600 x 400 x 430 h	74	pallet	64	1200 x 800 x 2120 h	<b>on stock</b>
	<b>59 00</b>			200 units			on request

 Material/colour range
 
 **51 01** grey polypropylene
 

 **51 XB** turquoise polypropylene
 

 **59 00** white PP - food compliant

 OTHER COLOURS ON REQUEST

**A**



**B**



**C**



Volume in litres  
per single unit



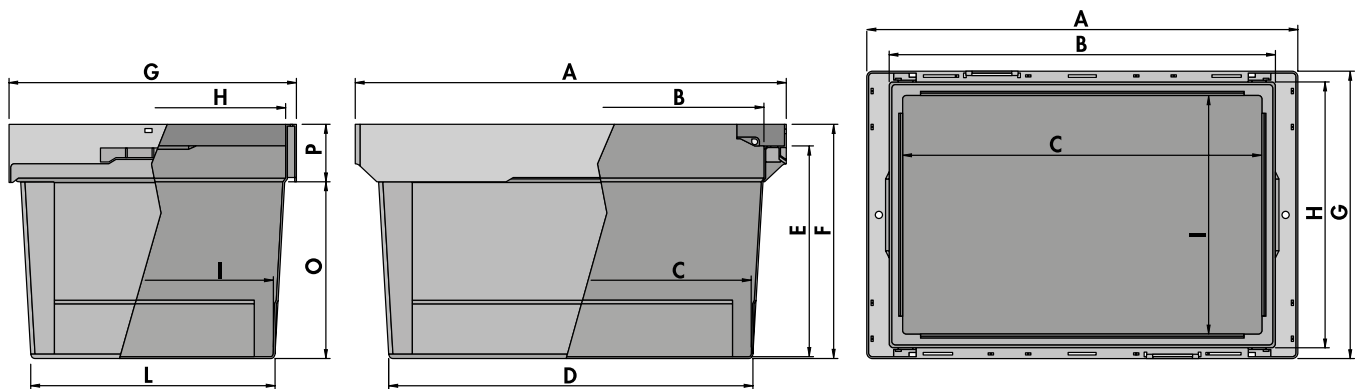
**CUSTOMISED  
MARKING**  
on request

## LID



ART.		dim. mm	min. purchase order	units per pallet	availability
	<b>51 01</b>		pallet		<b>on stock</b>
<b>FAX NB 64SE 00</b>	<b>51 XB</b>	610 x 400	pallet	160	<b>on stock</b>
	<b>59 00</b>		200 units		on request

## TECHNICAL MEASURES



ART. CONTAINERS	A	B	C	D	E	F	G	H	I	L	O	P
<b>FAX NB 6422 A 0</b>	601	540	501	509	292	325	401	373	330	339	245	81
<b>FAX NB 6432 A 0</b>	601	524	455	535	178	201	398	368	338	345	141	60
<b>FAX NB 6442 A 0</b>	601	540	499	508	394	426	400	372	329	338	326	100
<b>FAX NB 6422 B 0</b>	601	532	501	508	192	229	400	370	330	339	174	50
<b>FAX NB 6432 B 0</b>	601	540	501	509	292	330	401	373	330	339	245	81
<b>FAX NB 6442 B 0</b>	601	540	499	508	394	431	400	372	329	338	326	100
<b>FAX NB 6422 C 0</b>	611	532	501	508	192	239	400	370	330	339	174	50
<b>FAX NB 6432 C 0</b>	611	540	501	509	292	340	401	373	330	339	245	81
<b>FAX NB 6442 C 0</b>	611	540	499	508	394	441	400	372	329	338	326	100



# NESTABLE BOX LIGHT

Made from grey polypropylene, the Nestable Box Light series stacking containers have a truncated cone shape: when fully loaded they can be stacked firmly and safely, when they are empty they can be stacked one inside the other with a reduction of 70% of their volume. They are used to optimize warehouse space and in transportation where it is necessary to reduce the transport volumes of the containers when they are empty.

# HAND GRIP

open hand grip



# SIDE WALLS

solid side walls



perforated side walls

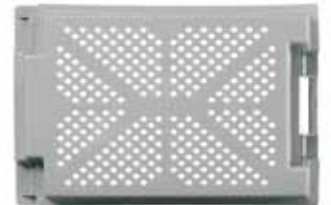


# BOTTOM

solid bottom



perforated bottom



# STACKING

front view



side view with cover

without lid



# RAW MATERIAL



**51 01**

grey polypropylene



**51 XB**

turquoise polypropylene



**59 00**


white food compliant

# CODING NESTABLE BOX LIGHT

		walls and bottoms configuration			material	colour
FAX	NL	<b>6420</b>	B	0	51	01
		series stacking container	height	depth		width

# NESTABLE BOX LIGHT 600x400 mm



ART.		Container dim. mm	L	min. purchase order	units per pallet	pallet dim. mm	availability
FAX NL 6420 B O	51 01	600 x 400 x 200 h	32	pallet	128	1200 x 800 x 2200 h	on stock
	51 XB			pallet			on stock
	59 00			pallet			on stock
FAX NL 6420 S O	51 01	600 x 400 x 200 h	32	pallet	128	1200 x 800 x 2200 h	on stock
	51 XB			pallet			on stock
	59 00			pallet			on stock
FAX NL 6430 B O	51 01	600 x 400 x 300 h	50	pallet	88	1200 x 800 x 2070 h	on stock
	51 XB			pallet			on stock
	59 00			pallet			on stock
FAX NL 6430 S O	51 01	600 x 400 x 300 h	50	pallet	88	1200 x 800 x 2070 h	on stock
	51 XB			pallet			on stock
	59 00			pallet			on stock
FAX NL 6440 B O	51 01	600 x 400 x 400 h	70	pallet	60	1200 x 800 x 2200 h	on stock
	51 XB			pallet			on stock
	59 00			pallet			on stock
FAX NL 6440 S O	51 01	600 x 400 x 400 h	70	pallet	60	1200 x 800 x 2000 h	on stock
	51 XB			pallet			on stock
	59 00			pallet			on stock

 Material/  
colour range

PP  
51 01 grey  
polypropylene

PP  
51 XB turquoise  
polypropylene

  
59 00 white  
PP - food compliant

 OTHER COLOURS  
ON REQUEST



**L** Volume in litres per single unit



**CUSTOMISED MARKING**  
on request

## ACCESSORIES



### LID

ART.		dim. mm	min. purchase order	units per pallet	availability
	51 01		pallet		on stock
FAX NL 64SE 00	51 XB	600 x 400	pallet	160	on stock
	59 00		pallet		on stock



### PACKING SLIP FIXING SPRING

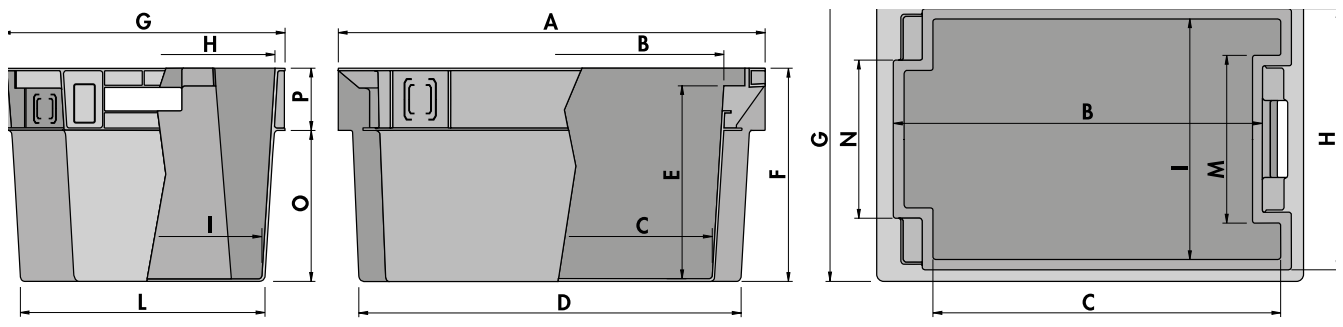
ART.	dim. mm	availability
FAXEBMB00000099	75 x 20 x 20	on stock



### SNAP SPRING FOR LID CLOSING

ART.	dim. mm	availability
FAXNLMSC00000099	34 x 20 x 17	on stock

## TECHNICAL MEASURES



ART. CONTAINERS	A	B	C	D	E	F	G	H	I	L	M	N	O	P
FAX NL 6420 B 0	601	524	455	536	178	201	399	371	338	345	220	202	141	60
FAX NL 6420 S 0	601	524	455	535	178	201	398	368	338	345	219	202	141	60
FAX NL 6430 B 0	602	527	453	537	272	301	398	370	338	346	220	202	214	86
FAX NL 6430 S 0	601	525	455	536	273	300	398	370	336	345	220	202	214	86
FAX NL 6440 B 0	602	526	453	535	372	401	398	367	336	345	218	203	284	117
FAX NL 6440 S 0	601	526	454	535	374	401	399	370	337	344	220	202	285	117