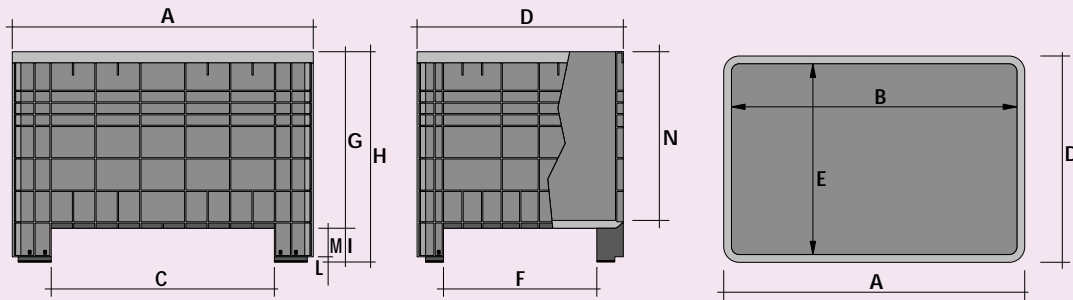


PLASTIC CONTAINERS

PLASTIC CONTAINERS – TECHNICAL MEASUREMENTS



container art.	A	B	C	D	E	F	G	H	I	L	M	N
F PT 1040 00 01	1000	930	725	635	580	390	532	650	113	10	103	515
F PT 5040 00 01	1160	1100	847	795	730	695	682	805	128	30	98	650
F PT 3040 00 01	1160	1100	847	794	730	695	682	805	128	20	108	655

The technical data contained in the above table is approximate. FAMI SpA reserves the right to make any modifications it sees fit to improve the performance and appearance of products. The manufacturer is not liable for any printing errors.

PLASTIC PALLETS



Art. F PU 2040 00 13

Plastic pallets
Overall dimensions:
mm 1200x800x150h

Art. F PU 3040 00 13

Plastic pallets
Overall dimensions:
mm 1200x1000x150h



Load capacity
on fork lift truck
1500 kg
Load capacity on floor
4000 kg



Art. F PU 2140 00 13

Plastic pallets for Odette
containers with galvanised steel
edges on all 4 sides.
Dim.: mm 1200x800x150h

Art. F PU 3140 00 13

Plastic pallets for Odette
containers with galvanised steel
edges on all 4 sides.
Dim.: mm 1200x1000x150h

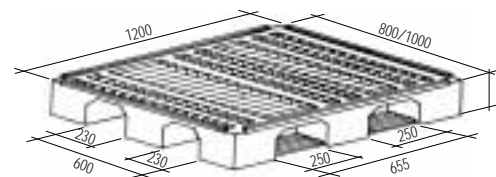
Art. F PU 2240 00 13

Plastic pallets for Athena
containers with galvanised
steel edges on all 4 sides.
Dim.: mm 1200x800x150h

Art. F PU 3240 00 13

Plastic pallets for Athena
containers with galvanised
steel edges on all 4 sides.
Dim.: mm 1200x1000x150h

pallet art.	dimensions (mm)	load capacity on fork lift truck (kg)	load capacity on floor (kg)	weight (kg)
F PU 2040 00 13	1200x800x150	1500	4000	12±3%
F PU 3040 00 13	1200x1000x150	1500	4000	15±3%
F PU 2140 00 13 for Odette containers	1200x800x150	1500	4000	14,4±3%
F PU 3140 00 13 for Odette containers	1200x1000x150	1500	4000	17,7±3%
F PU 2240 00 13 for Athena containers	1200x800x150	1500	4000	13,7±3%
F PU 3240 00 13 for Athena containers	1200x1000x150	1500	4000	16,9±3%



The technical data contained in the above table is approximate. FAMI SpA reserves the right to make any modifications it sees fit to improve the performance and appearance of products. The manufacturer is not liable for any printing errors.