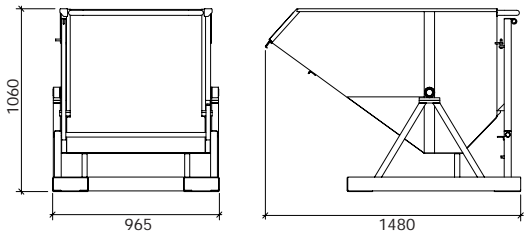


TILTING CONTAINERS

Tilting containers	container item code	dimensions (mm)	load (kg)
	<p>F ML 0200 00 01 grey</p>	<p>965x1480x1060</p>	<p>1000</p>

The technical data contained in the above table is approximate. FAMI SpA reserves the right to make any modifications it sees fit to improve the performance and appearance of products. The manufacturer is not liable for any printing errors.

ACCESSORIES FOR TILTING CONTAINERS

The tilting containers can be supplied with wheels for manual transport or with plinths for transport with pallet trucks.

N.B.: a fork lift truck must be used to empty the containers.



Art. F ML 0750 00 01
4 plinths for tilting containers



Art. F ML 0200 05 01
Load kg 1000



transport with pallet trucks



Art. R CRN 0008 00
Fixed spare nylon wheels Ø 160 mm
Art. R CRN 0027 00
Spare swivel nylon wheel Ø 160 mm



Art. F ML 0200 10 01
with 2 fixed nylon wheels Ø 160 mm
2 swivel nylon wheels Ø 160 mm
without brake
Load kg 900