

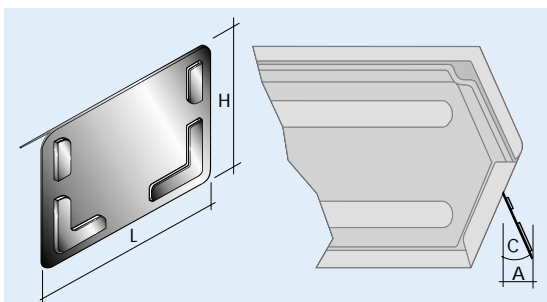
ACCESSORIES FOR STORAGE CONTAINERS

**INCLINED LABEL HOLDER**

The galvanized label holder has been designed to make it easy to read the labels applied. It can be fitted and removed with the greatest of ease.



**99 hot galvanized**



inclined label holder art.	for containers art.
<b>F ND 2110 00 99</b> <i>galvanized</i>	F LS 4100 00 .. F LS 6500 00 .. F LS 6501 00 ..
<b>F ND 2120 00 99</b> <i>galvanized</i>	F LS 7300 00 .. F LS 7301 00 .. F LS 8100 00 .. F LS 8101 00 .. F LS 8110 00 .. F LS 8900 00 .. F LS 8901 00 .. F LS 8910 00 ..

inclined label holder art.	L (mm)	H (mm)	A (mm)	C (°)
<b>F ND 2110 00 99</b> <i>galvanized</i>	100	67	60	60°/70°
<b>F ND 2120 00 99</b> <i>galvanized</i>	128	90	80	60°/70°

